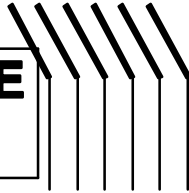


**FOR REFERENCE
ONLY**



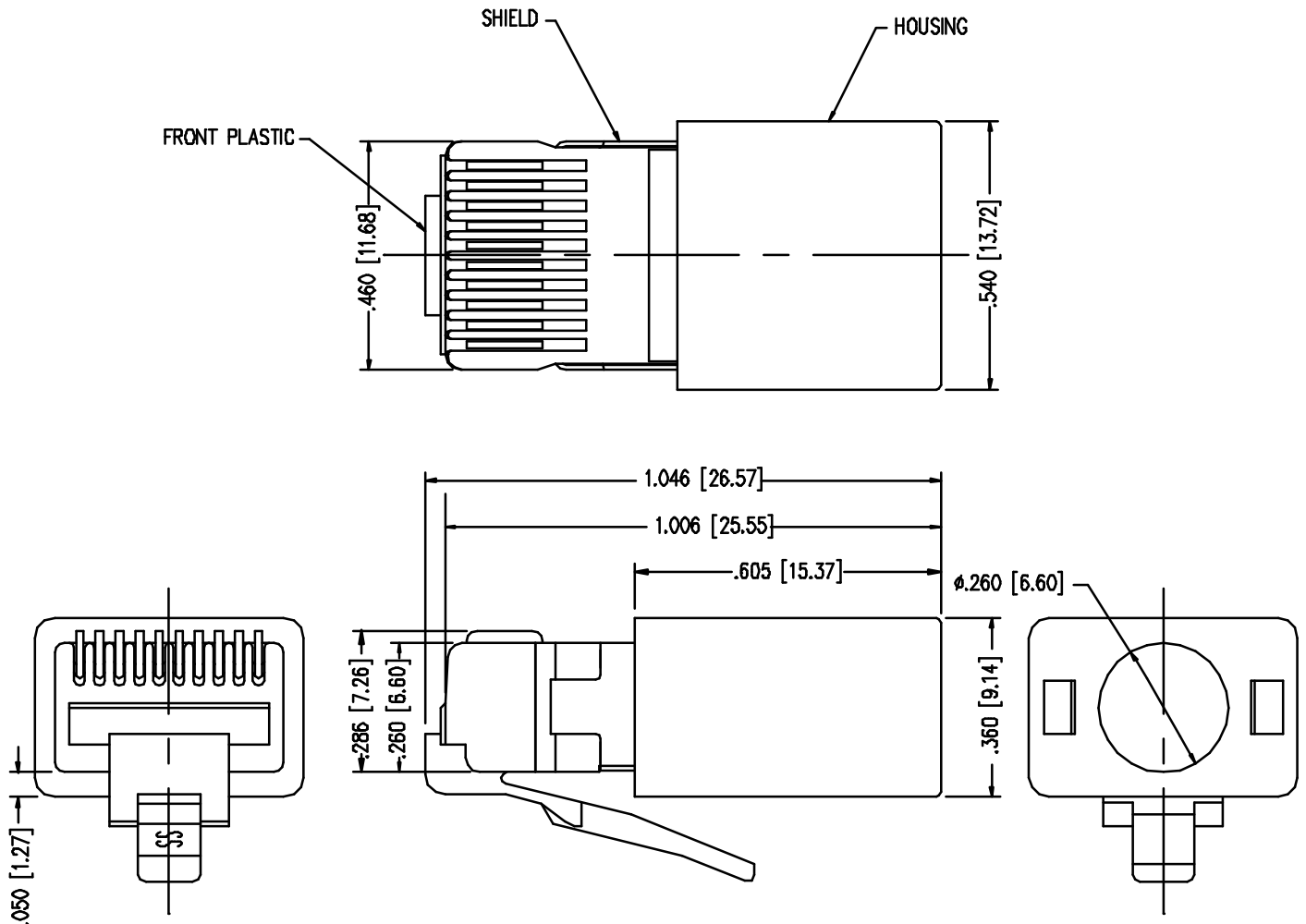
**STEWART
CONNECTOR
SYSTEMS, INC.**

R.D. 2, BOX 2020 GLEN ROCK, PENNSYLVANIA 17327

P.N. 937-SP-361010-A05
10 X 10 SHIELDED PLUG

CONSISTING OF:

PRE-INSERTED FRONT & SHIELD ASSY.- P.N. 937-SP-361010-FS
HOUSING- P.N. 361010-H-A05
LOAD BAR- P.N. 361010-LB
FERRULE- P.N. F-235-205-L
CONTACT- SEE NOTE



NOTES:

- TOLERANCES COMPLY WITH F.C.C. DIMENSION REQUIREMENTS.
ALL OTHERS \pm .003 [0.08] UNLESS OTHERWISE SPECIFIED.
- DIMENSIONS NOT SHOWN COMPLY WITH F.C.C. REQUIREMENTS
- "A05" IN PART NUMBER DESIGNATES A HOUSING LENGTH OF .605.
- 937 FOR TINSEL CONDUCTOR